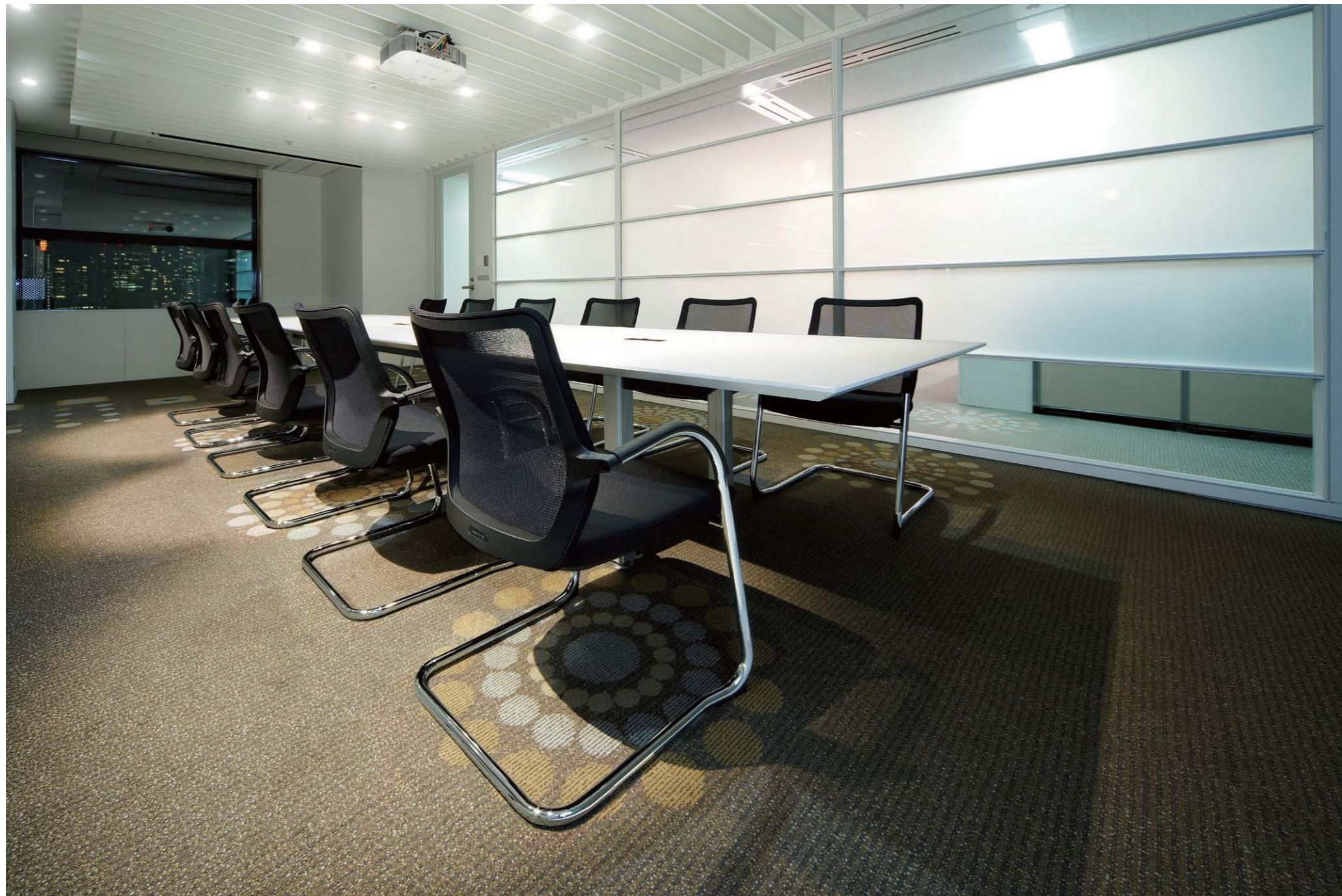


T1

Meeting Chair



okamura



T1

Meeting Chair

Simple is beautiful. Simple is versatile.

Simple, and yet chic; the T1 is an attractive choice for every meeting's use. Its beautiful design unites a comfortable functionality and range of possibilities. With a cantilever structure and mesh backrest, the T1 conforms to the shape of your body. Comfort and style truly come together in the T1.

Model No. : 81T1AA-FX50

Materials

Leg frame : Steel pipe in chrome finish

Backrest shell :

Engineering plastic(polyamide)

Backrest mesh : Polyester

Seat : Urethane foam cushion with polyester upholstery

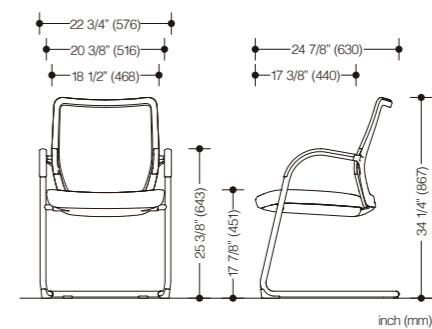
Arm pad : Polypropylene

Standards : EN13761:2002

Detail

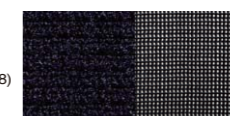
22 3/4"W x 24 7/8"D x 17 7/8"SH•34 1/4"H
(576W x 630D x 451SH•867H)

Weight : 9.5kg



Color

Black / FX50
(Seat:FX42 + Back:FX48)





okamura

OKAMURA CORPORATION

International Sales & Marketing Div.

2-14-27, Akasaka, Minato-ku, Tokyo, 107-0052 JAPAN

Tel: +81-3-5561-4085 Fax: +81-3-5561-4086

<http://www.okamura.jp/>

The products listed in this catalog are available as of August 2012. Please note that specifications, dimensions, and colors are subject to change without notice. The colors of the actual products may differ somewhat from the colors shown in the catalog, depending on printing conditions.

YOCK22-281 P.KU '12-08 Printed in Japan