



KONICA MINOLTA

bizhub 367
bizhub 287

A3 Monochrome Multifunctional Printers (MFP)

bizhub

RETHINK IT



367

BW 36 PPM

287

BW 28 PPM

Giving Shape to Ideas

TOMORROW'S WORKPLACE TODAY

A NEW WAY OF WORKING HAS ARRIVED

From an office hub to a partner that enhances your creativity.

As office documents become more digitised and data volumes increase, document management and access assume more importance than ever. Remote access and cloud integration also heighten the need for security.

Multifunctional Printers (MFP) are now expected to connect people, places and devices simply and safely and create a new way of working.

We want to provide a new-value office that can be used intuitively by digital natives.

MFPs have transitioned from an office hub to functioning as a partner that enhances your creativity, one that meets your diverse workstyles and business needs.

Why not embrace this smarter, simpler way of working?

Changes the office of the future from a customer perspective

From an executive's perspective

Konica Minolta supports corporate governance through our services

From an IT manager's perspective

Assures IT security and reduces managerial burden

From a user perspective

Prioritising the User Interface for simplicity and ease of use

Delivering Simple, Secure and Convenience to office work We innovate your businesses, processes and way of working



Simplifying work

The operation panel design reflect familiar smart device operation. It offers the user a smarter way of working.

Thoroughly protecting office information

Improved security of large-volume office data, and paper documents, significantly reduces the burden on IT managers.

Always at the forefront

Konica Minolta's remote services support governance and resolve executive concerns and issues.

SIMPLE SIMPLIFYING WORK



The bizhub 367 series has standard web browser. The multi-touch UI in the operational panel can be used to display and print out web page contents.

Easy-to-use, new operation panel design

The operation panel features simple GUI (Graphical User Interface) design. Features such as slide, flick gesture emulates familiar smart devices and enable easy use of a variety of IT services. Simplicity of operation has been achieved by concentrating on frequently-used functions to minimise functions and screen transitions.

Large, user-friendly, 7-inch touch panel

bizhub 367 series comes with an intuitive 7-inch control panel. Its on-screen soft menu keys and hard menu keys allow users to register up to 9 commonly used functions such as copy, scan/fax, preview or soft numeric keypad.

Voice guidance

Voice guidance offers support such as reading out fax numbers, explaining major screens and keys, and key-related operations. It also assists panel operation and prevents mis-operation.

This function is only for use in enlarged displays on copy, fax and scan screens. Requires i-Option LK-104 v3, key pad KP-101, Memory upgrade kit UK-211, Hard disk HD-522 and device connection I/F kit EK-608 or EK-609.

Make tasks simple with purpose-specific apps

Card shot for ID card copying

Both front and back sides of an ID card can be copied on one sheet of paper in just a few easy steps.



SIMPLE THOROUGH PROTECTION OF OFFICE INFORMATION



User authentication, the cloud, and a variety of document data security functions lighten the burden on IT managers facing security issues with large-scale digital data and paper documents.



bizhub SECURE services

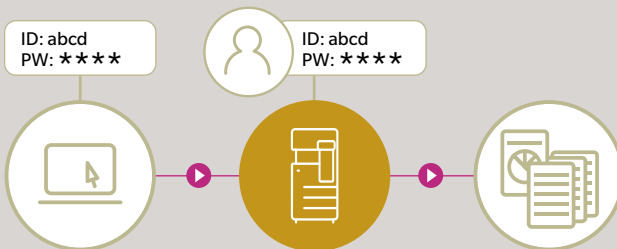
Data protection is a major issue for most companies. bizhub delivers advanced security settings through

bizhub SECURE services, a total security setting service that provides greater protection for customer data stored in the hard disk and device's network settings.

Optional Hard disk HD-522 is required.

Secure printing

By setting a password for documents on the printer driver screen, the document is stored on the MFP's hard disk until the correct password is keyed on the operation panel. The document is protected without being output until the password set for that document is matched. This is useful when you wish to print confidential documents or give permission for limited users to receive copies.



Various types of user authentication

Optimal authentication systems can be customised to suit office scale and pre-existing systems. The bizhub 367 series also supports single sign-on (SSO) which enhances operability without sacrificing security.

Main unit authentication

Authentication can be performed through the bizhub alone. It is also possible to set detailed usage restrictions for functions, including copy, print, scan and fax*.

*Requires Fax Kit FK-513 option and Hard disk HD-522.

Non-contact IC card authentication

Non-contact IC cards^{*1} such as FeliCa can be used to authenticate users^{*2}. This also supports SSFC (Shared Security Formats Cooperation) specifications which enable integration of staff authentication with authentication systems. Apart from non-contact IC cards, authentication can also be carried out on NFC-compatible Android devices^{*3}.

*1 Non-contact IC cards are compatible with FeliCa (IDm), SSFC, FCF, FCF (Campus) and MIFARE (UID).

*2 Requires the optional IC card authentication device and USB interface EK-608 / EK-609.

*3 Requires an Android device later than Android 4.4, compatible with HCE (Post Card Emulation), and Konica Minolta Mobile Print.

Biometric authentication

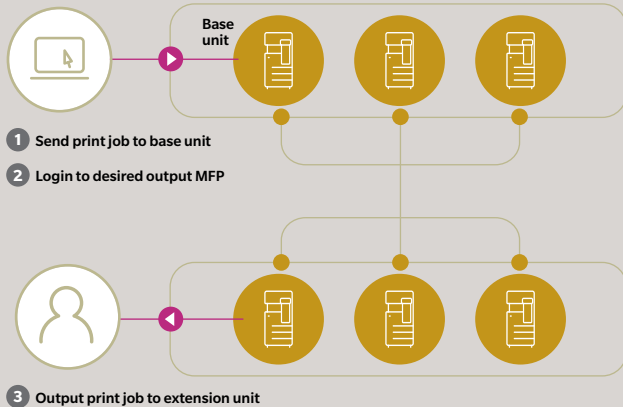
Highly accurate authentication is possible using finger veins. It's easy, and also enables the building of high-level security systems.

Requires Biometric Authentication Device option, USB Interface EK-608 / EK-609 option, and Working Table WT-506 option.

Serverless printing in a ubiquitous network

The bizhub 367 series achieves serverless printing in a ubiquitous network that outputs previously sent print jobs from any desired MFP in the office network, after authentication. As a base unit for printing, it works as a print server, which enables the easy, low-cost creation of a serverless printing system for ubiquitous computing.

A print system in a ubiquitous network can be created for up to 100 units. Each client MFP requires the i-Option LK-114 and Memory upgrade kit UK-211. To use 367 series models as base units i-Option LK-114, Memory upgrade kit UK-211 and Hard disk HD-522 are required.



Encrypted PDFs

• Password encryption

Documents distributed in PDF format can be password encrypted.

• Digital ID encryption

Only authorised recipients with a private key can decrypt. This ensures a far more robust level of security than the previous public key system.

If encrypting with Digital ID, the email address (S/MIME send) to which the Digital ID has already been registered must be registered to the MFP's abbreviated address.

Requires the i-Option LK-102 v3, Memory upgrade kit UK-211 and Hard disk HD-522.

• Electronic signatures

Electronic signatures certify (MFP) document authors, and also guarantee that the document has not been changed and is valid.

Certifications by third party organisations can also be used.

When using electronic signatures, files should be encrypted using either a password or Digital ID.

Requires i-Option LK-102 v3, Memory upgrade kit UK-211 and Hard disk HD-522.

Other major security features

- SMTP authentication/POP before SMTP authentication enable security to be set when sending emails.
- SSL/TLS protocol enables encryption of data transmission between networks
- Storage Lock Password prevents unauthorised access to the hard disk
- TPM (Trusted Platform Module) safely manages confidential information
Optional TPM LK-115 is required.
- Memory Receive & PC Forward prevents paper faxes from being left behind
- Transmission Result Report and Operation Panel Result Check enables verification of fax transmission

Konica Minolta's original fax security

- Send Approval Password function prevents erroneous transmission through thorough checking
- Voice Guidance when Sending reads out fax number before sending fax to prevent erroneous transmission

Requires i-Option LK-104 v3, Key pad KP-101, device connection EK-608 / EK-609, Memory upgrade kit UK-211 and Hard disk HD-522.



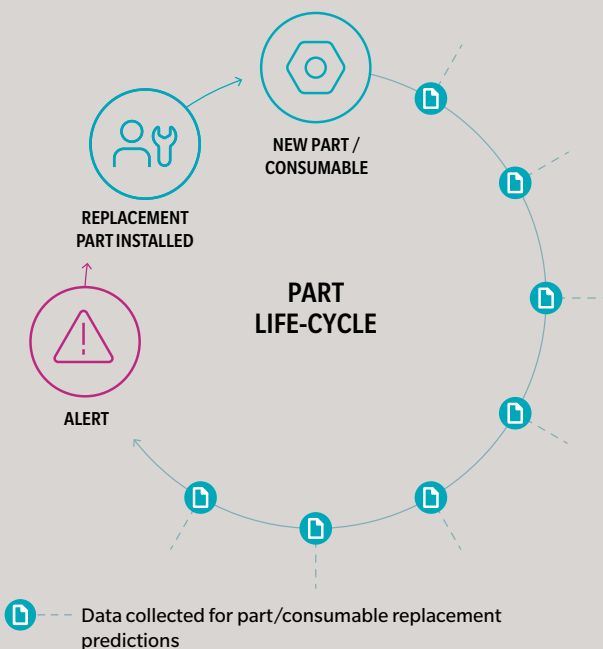
SIMPLE ALWAYS AT THE FOREFRONT

Konica Minolta remotely manages bizhub operating conditions and toner levels, and delivers a variety of support and cloud services including automatic firmware updates and remote monitoring.



Worldwide Remote Service Platform

We developed new services leveraging IoT so users can focus on their core business. i-Series intelligently collects data for self-diagnostic and remote maintenance, as well as predicts the optimum replacement time for parts and consumables to minimise downtime.



For more information, please contact your authorised Konica Minolta retailer.

bizhub Connectors

The operation panel connects to various cloud services^{*1} and corporate internal server SharePoint 2007/2010/2013/2016, enabling connectivity for scan data uploads or direct printing. With single sign-on user logged in to the bizhub, users can access registered cloud application without re-entering authentication information.

bizhub Connector^{*2} offers 2 applications

bizhub Connector S-1 for Microsoft SharePoint

bizhub Connector E-1 Works with Evernote

^{*1} Evernote. ^{*2} Requires a separate set-up fee.

Animated guide

The animated guide demonstrates procedures such as handling paper jams and replenishing consumables. Following the instructions displayed on the operation panel ensures smooth operation.

* Requires Hard disk HD-522. Contact your service representative to install animated guide.

Web browser function

The bizhub 367 series supports a web browser function.

Websites can be displayed on the operation panel and printed out. Pages in PDF files on the website can be specified and only the required sections printed. This is very handy, allowing easy printing such as of destination maps from the site.



HIGH PRODUCTIVITY

A wide range of paper feeding and finishing options reduces downtime to boost productivity.

Main unit standard
1,100 sheets

Shorter warm-up time

The warm-up time, from powering up to copying, is under 20 seconds. First Copy Out Time, from when the copy button is pressed until the first copy prints, is 4.5 seconds or less.

Max.
3,600 sheets
(PC-413 required)

A wide range of paper feed options

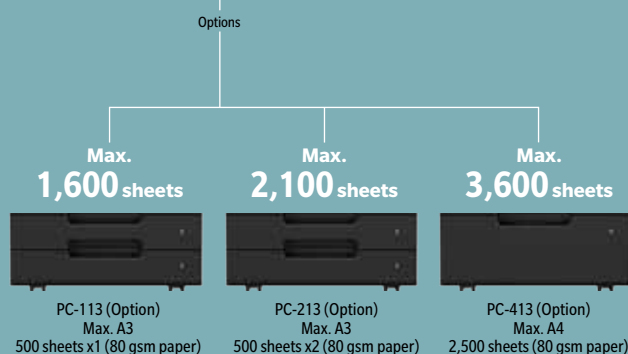
Paper feed capacity for the standard main unit tray and multi manual feed is 1,100 sheets. Installing optional paper feed cabinets enables a maximum of 3,600 sheets*. Reducing paper tray refill frequency cuts downtime.

* With optional PC-413 paper feed cabinet installed.



Multifunctional finisher

Depending on the objective, users can select from several types of finish that are automatically processed by the multifunctional finisher, including booklet making, tri-folding, stapling and hole-punching. In addition to high-speed output, this function allows in-house production of a variety of outputs and finishes.



Finishing Functionalities

Finisher Models	FS-534 ^{*1,2}	FS-534 with SD-511 ^{*1,2}	FS-533 ^{*5}	JS-506
Offset sorting (Shift sort) function	Slightly offsets position of each set of pages when discharged		✓	✓
Stapling functions	Corner stapling Corner stapling (parallel) ^{*3} Corner stapling (parallel) ^{*3} Two-point stapling (side)	Thin/normal (60-90 gsm): max. 50 sheets Thick (91-120 gsm): max. 30 sheets Thick (121-209 gsm): max. 15 sheets	Thin/normal (60-90 gsm) A4, B5: max 50 sheets ^{*4} A3, B5: max 30 sheets ^{*4}	—
Booklet function & folding functions	Saddle stitching Centre-fold Tri-fold (up to 3 sheets)	—	Max. 20 sheets	—
Hole-punching	Two-hole punch Upper two-hole punch	—	Punch kit PK-520 Up to 256 gsm	Punch kit PK-519 Up to 157 gsm
Cover sheet & Insert sheet	Cover sheet Insert sheet	Standard functions	Standard functions	Standard functions

^{*1} Installation of a finisher enables in-body paper discharge. A maximum of three discharge locations can be set. ^{*2} Requires Relay Unit RU-514.

^{*3} FS-534/FS-534 with SD-511 parallel stapling is only supported for A4 portrait, B5 portrait and A5 landscape orientations. ^{*4} FS-533 corner stapling is only parallel.

^{*5} Requires Mount kit MK-602.

COPY / PRINT

Equipped with advanced functions for monochrome MFPs.
Both Copy and Print functions exhibit outstanding performance.

Detachable paper trays

Paper trays can be removed for retrieval of jammed paper, which equates to less downtime.



Print directly from your USB flash drive

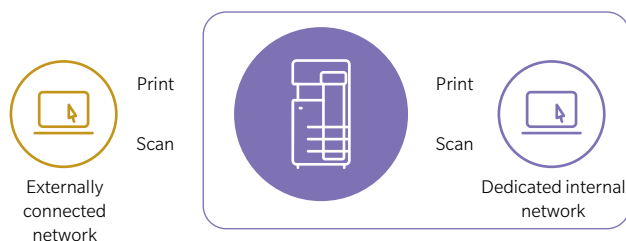
The bizhub 367 series is equipped with a USB port, located on the side of the operation panel. After inserting a USB flash drive, printing procedures pop up in the touch screen, and the flash drive data can be directly printed or saved to a Box in the unit in a few easy steps.

May not operate correctly depending on the type of USB flash drive.
Supported file formats: PDF, compact PDF, JPEG, TIFF, XPS, compact XPS, and OOXML (.docx/.xlsx/.pptx).
Printing results may differ from the image on the PC screen.
Requires Memory upgrade kit UK-211 and Hard disk HD-522 to support some file formats and Box functions.

Supports VLAN (Virtual LAN)

The bizhub 367 series supports a VLAN function that splits multiple networks logically. Data can be isolated for each network, such as externally vs. internally connected networks, company dedicated vs. guest-only networks, or in shared offices so the bizhub can be used securely.

For further details please contact your authorised Konica Minolta retailer.

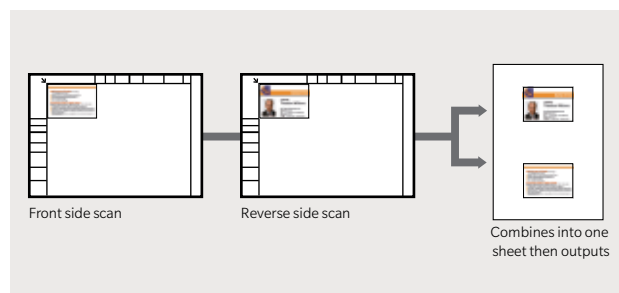


Other print functions

- Supports BMLinkS which connects seamlessly with office equipment
- My Tab Function can customize your own printer driver
- Printing to Tab Paper (index paper)
- Carbon Copy Mode prints the original docket and copy at the same time

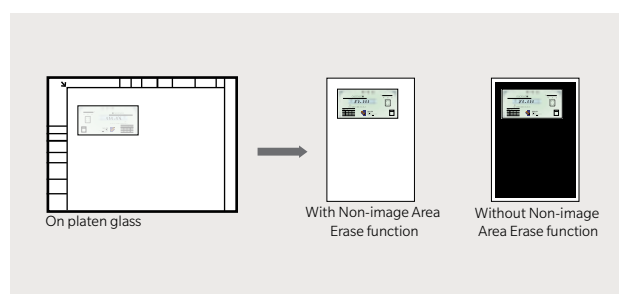
Card shot function

When copying both sides of an irregular-sized original, such as a license or business card, the front and back sides of the card can be automatically arranged to be printed on the same side of one sheet. Easy copying is possible by selecting the Card Shot app on the User Interface.



Non-image area erase function

When copying with the cover open, such as for thick books, the original is automatically detected and the shadowy area around the original is omitted. This saves excess toner consumption. Easy operation is possible by selecting the relevant apps on the User Interface.



Other copy functions

- Output Mode that matches application (double-sided printing, grouping, sorting, shifting, booklets, binding margin)
- Diverse Original Document Scan Modes (continuous scan, mixed originals, binding margin, original loading direction, thin paper, Z folded original, programmed jobs, blank original removal).
- Copy Mode can be set according to objective (book original, index originals)
- Selectable Layout Adjustment (enlarge/reduce, mirror image, image shift, auto image rotation)
- Handy "Page Insertion" (coversheet, OHP film, insert sheet, chapter separator, insertion page)
- Expanding usage with Image Additions (date/time, page number, stamp, watermark, head/footer, overlay*, registered overlay*)
- Able to copy required sections only (Frame Erase, Erase Outside)
- Numerous "Copy Security" functions (Copy Protect, Stamp Repeat)

* Requires Memory upgrade kit UK-211 and Hard disk HD-522.

MOBILE

Offers a new workstyle through advanced connectivity with mobile devices.

Mobile communications function

Connectivity with NFC-equipped Android devices

The operation panel has a mobile touch area compatible with NFC-equipped devices. Installing Konica Minolta Mobile Print on Android devices allows that device to be registered to bizhub. Just holding the Android device over the mobile touch area enables the selected file to be printed. Scanned documents in the bizhub can also be scanned and saved to Android devices or cloud storage. Where user authentication is enabled, just holding the Android device nearby allows log in.

Requires the Android device to be equipped with OS4.4 or later.
Requires a wireless LAN environment.

Bluetooth LE connectivity with iOS devices

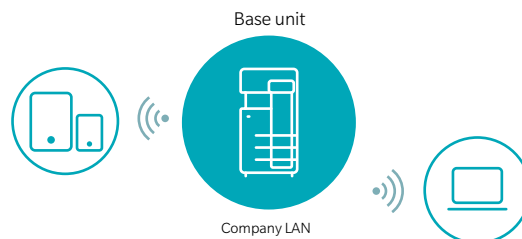
Using Bluetooth LE (low energy), a bizhub close to the user can be searched and registered with Konica Minolta Mobile Print. As it is also supported with the iOS action button, printing and scan data sharing from various applications can be smoothly executed. Further, where user authentication is enabled, Bluetooth LE can be used to log in.

Requires the device connection I/F kit EK-609 option.
Requires wireless LAN environment.

Wireless LAN (AP Mode)

The bizhub 367 series supports Simple Access Point (AP) Mode*, which easily creates a local wireless LAN environment with only the bizhub allowing a wireless LAN to be built separately from the company LAN. Because it bypasses the company LAN, even mobile devices brought in from outside can be securely connected.

*Requires Upgrade Kit UK-212 option.



Supporting a range of print services

Konica Minolta Mobile Print

This is a mobile application offered by Konica Minolta. With a simple and intuitive user interface. Connecting a mobile device with bizhub allows fast, secure scan data acquisition, saving to and sharing cloud storage, as well as document and image printing. Authentication Print and Secure Print are also supported enabling worry-free printing of confidential documents.



ECO FRIENDLY

A range of environmental considerations made, from outer case materials to power consumption.

0.5W sleep mode power consumption

Power saving logic has been improved, including turning off the CPU during sleep mode, to reduce sleep mode power consumption to 0.5W. In addition to helping reduce environmental impact, this is also effective in reducing TCO (Total Cost of Ownership).

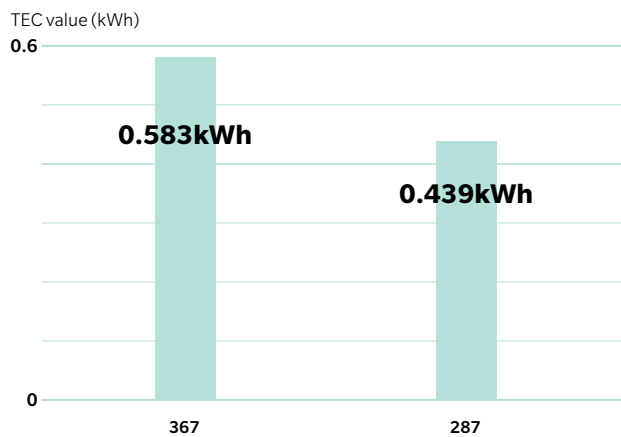
Social responsible efforts

To address environmental issues such as global warming, our products are compatible with global environmental standards, including the Blue Angel Label which aims to develop and introduce highly energy-efficient office equipment.



Reduced power consumption easily clears TEC value standards

The bizhub 367 series features environmentally considerate technologies throughout to easily clear the TEC values stipulated in the International Energy Star Program Version 3.0.



TEC value from International Energy Star Program Ver. 3 application

SCAN / FAX

The Scan/Fax functions deliver high performance and high functionality from speed, quality and distribution to storage.

Outstanding scan performance

Automatic duplex scanning with an Automatic Document Feeder (ADF), achieves high-speed scanning of 45 ppm (22 double-sided sheets per minute). Up to 100 sheets* can be loaded at any one time, significantly reducing scanning time and effort. The precision of automatic skew correction, which adjusts the angle of the scanned original, has been greatly improved to deliver highly accurate scanning with less skew.

* When equipped with the Automatic Document Feeder DF-628 option. 80 gsm paper.



Scan to URL function

Equipped with a Scan to URL function which stores Scan data within the bizhub, then emails the storage destination URL to the user. This enables easy transmission of large volume data that cannot be attached to emails.

Hard disk HD-522 is required.

Scan to email function

Users can send scan data such as for receipts and payment slips to themselves immediately. This can also be done securely with the authentication setting. As the "Scan (email to me)" button is on the home screen, the data can be scanned and sent quickly in a few easy steps.

Manage incoming fax

Received faxes can be checked, managed and printed in a few easy steps by setting the Compulsory Memory Receive Box in the home screen. As the user can select which faxes need to be printed, this function is effective in preventing unnecessary outputs, thus reducing printing costs.

Fax kit FK-513 and Hard disk HD-522 are required.

Blank original removal function

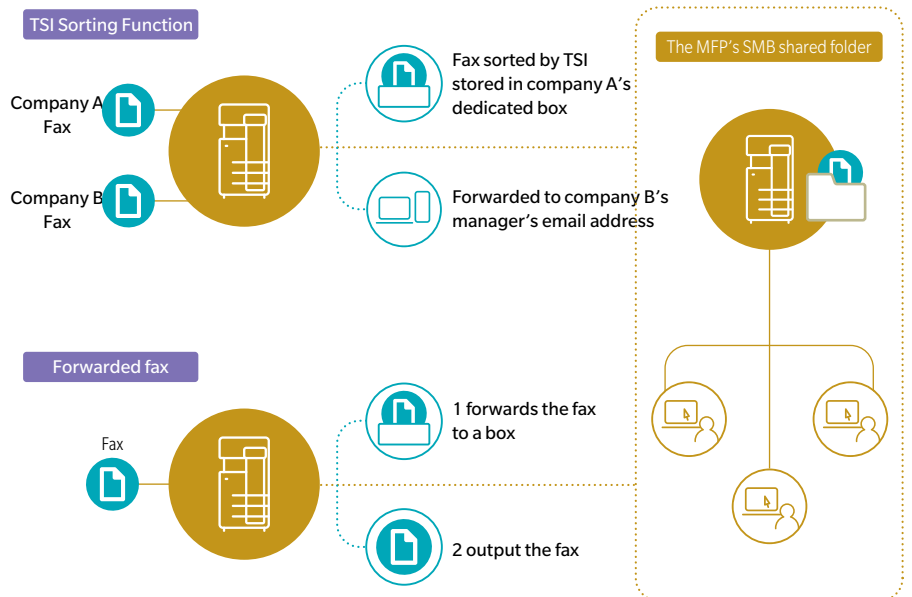
Blank sheets from original documents loaded on the ADF can be excluded from scanning. Documents detected as blank sheets will not be counted as a page.

Box storage of received data promotes a paperless environment

Received fax data is automatically sorted according to TSI (Transmitting Subscriber Identification) and automatically stored in the bizhub's Box. Setting automatic transfer to client PC or email addresses saves both effort and cost in sorting and distributing received documents.

Forwarding to the bizhub's SMB shared folder is also possible. The bizhub 367 series can also handle functions such as forwarding faxes and TSI-sorted received faxes. The increase in storage destinations for received faxes will further promote a paperless environment.

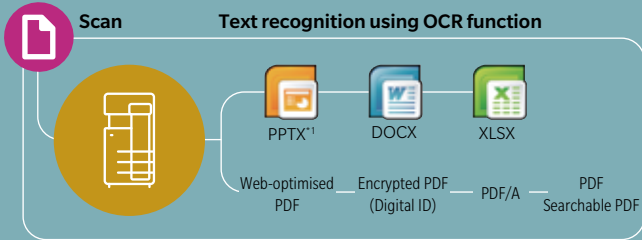
Hard disk HD-522 is required.



Digitisation of paper documents

Documents can be scanned and converted to PDF or OOXML format files. File format can be selected according to the business and intended use, which broadens the scope of secondary use.

Scan to PDF / Scan to OOXML image (with LK-110 v2 installed)



- Applying OCR to a document produces searchable text
- Microsoft Office etc. enables reuse of images and text.

File conversion formats and required options (i-Option)

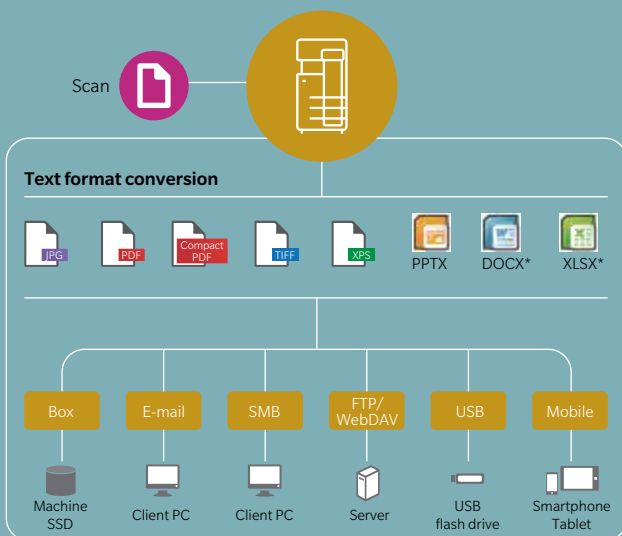
	LK-102 v3	LK-105 v4	LK-110 v2
PDF/A (long-term archiving)	✓		✓
Web-optimised PDF (linearised PDF)	✓		✓
Encrypted PDF (digital ID)	✓		✓
Searchable PDF (OCR)		✓	✓
OOXML file (extension: docx/.xlsx/.pptx) conversion			✓ ^{*1}
OOXML file (extension: docx/.xlsx/.pptx) conversion +OCR		✓ ^{*2}	✓

*1 pptx conversion is a standard function, but the OCR function requires either LK-105 v4 or LK-110 v2, UK-211 and HD-522.

*2 Only compatible with pptx.

Improve scan job efficiency

Scanned originals can be converted to a variety of document formats according to the application and stored in the bizhub's box or a USB flash drive. They can also be sent and stored to a PC or server via email, SMB, FTP, or Web DAV.



Requires i-Option LK-110 v2, UK-211 and HD-522.

Other main scan and fax* functions

*Requires optional FK-513 and Hard disk HD-522.

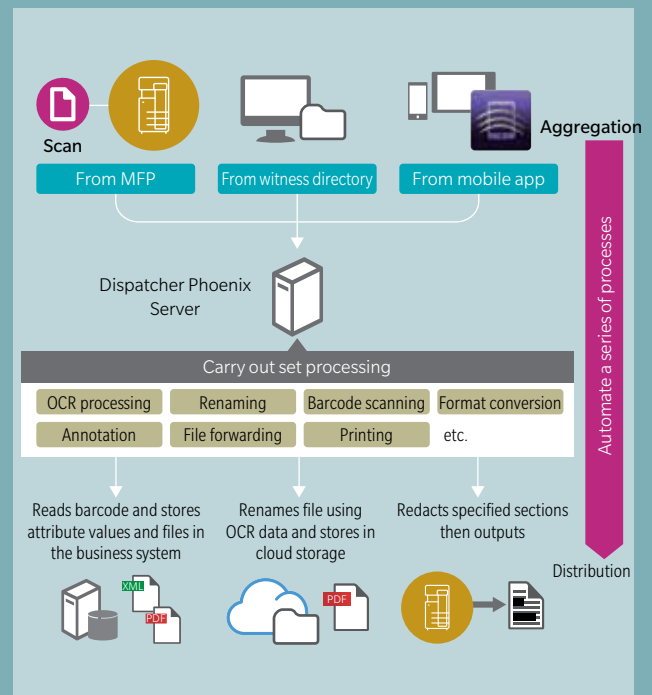
- Super G3 Standard achieves high speed sending of approx. 2 seconds
- Convert received data into a Searchable PDF format
Requires i-Option LK-110 v2, Memory upgrade kit UK-211 and Hard disk HD-522.
- IP Address Fax reduces transmission costs
- Address Storage for a maximum of 2000 addresses and 100 groups
- Skip Blank Pages function skips blank originals during scanning
- Banner Scan scans long originals from the ADF

Task Automation Tools

Sold separately

Dispatcher Phoenix

Dispatcher Phoenix automates digitised document processes from file aggregation to processing and distribution. By dividing processes via pre-set conditions, such as OCR processing, file renaming and barcode scanning, each document is automatically stored at a destination. This delivers one-touch execution of cumbersome tasks. Start times can be scheduled so that digitised tasks can be executed quickly and efficiently. Broad scalability and versatility, including connectivity with cloud services, enable creation of flexible workflows tailored to the customer's business and office environment.

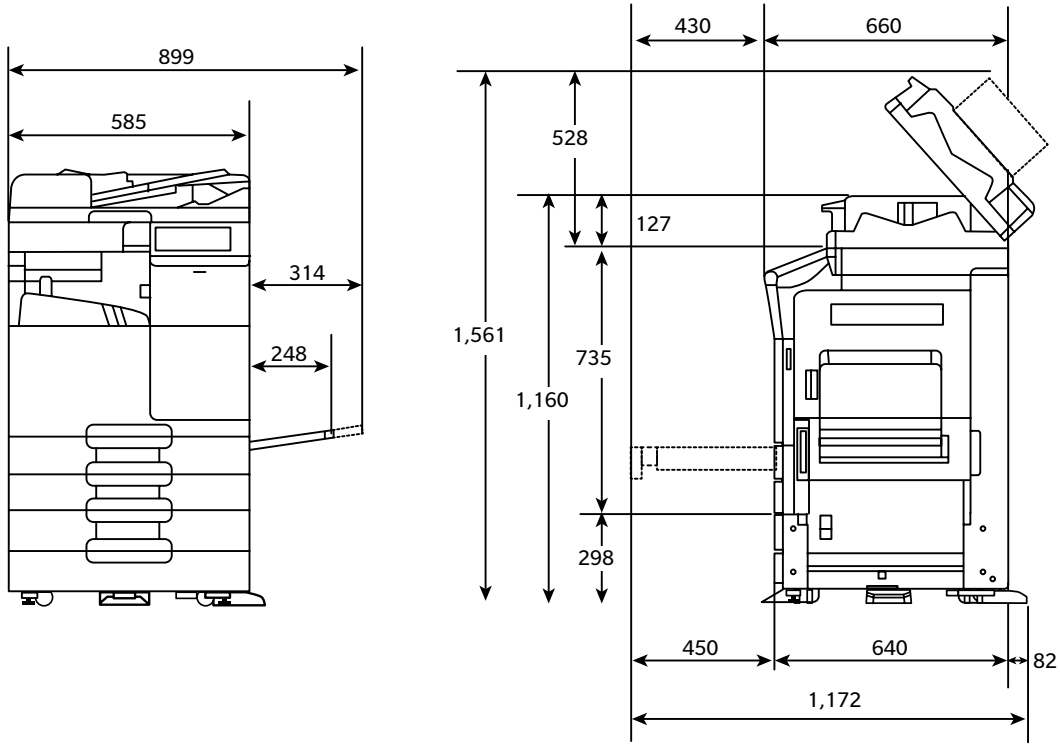


PRODUCT SPACE REQUIREMENTS

bizhub 367/287

FRONT / SIDE VIEW

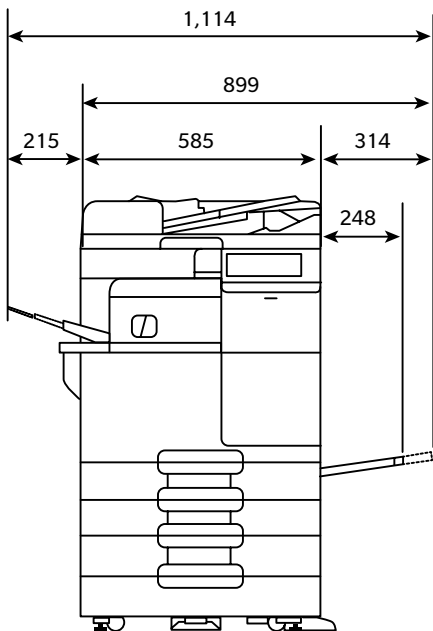
DF-628 + PC-213 (PC-113/PC-413/DK-513)



bizhub 367/287

FRONT VIEW

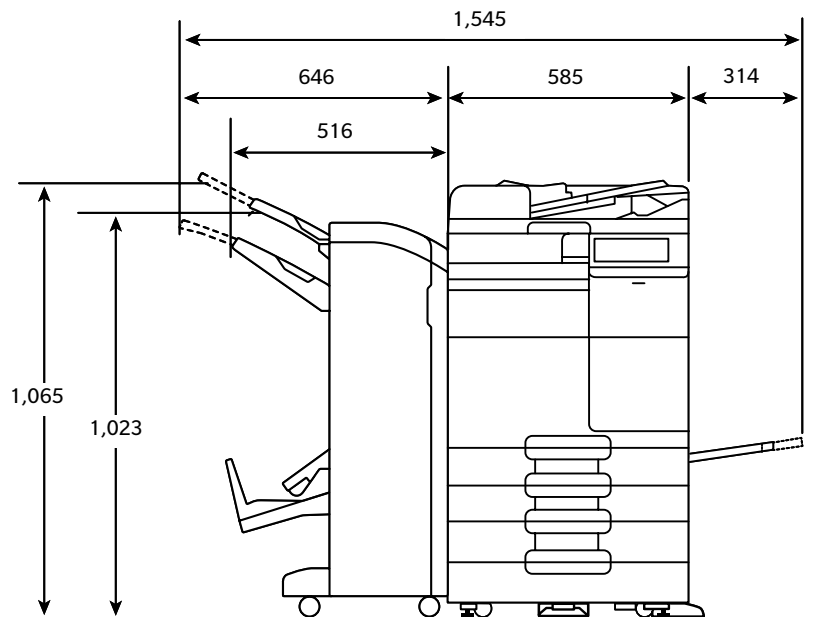
DF-628 + PC-213 (PC-113/PC-413/DK-513) + FS-533 + MK-602



bizhub 367/287

FRONT VIEW

DF-628 + PC-213 (PC-113/PC-413/DK-513) + FS-534 WITH SD-511



CUSTOMER BENEFITS



Intuitive operability
Operate the bizhub like a smartphone or tablet with fully customised user interface



Mobile connectivity
Print anytime from anywhere with Konica Minolta's innovative mobile technologies



Security
Secure network integration, data encryption, secure erase and advanced user authentication



Application ecosystem
Enhanced efficiency thanks to Konica Minolta's extensive applications portfolio



Productivity
Reliability, high-speed scanning and printing, combined with powerful finishing functions



Sustainability
Efficient printer fleet management, including automatic consumables delivery, pro-active maintenance and remote setup

OPTIONS

- 1 ENHANCED FEATURES**
- PDF enhancements¹
LK-102v3
 - Voice guidance¹
LK-104v3
 - OCR text recognition¹
LK-105v4
 - Barcode fonts
LK-106
 - Unicode fonts
LK-107
 - OCR A and B fonts
LK-108
 - Document converter pack¹
LK-110v2
 - ThinPrint[®] client
LK-111
 - Serverless pull printing²
LK-114
 - Trusted Platform Module activation
LK-115v2



- 2 CONNECTIVITY**
- Fax kit³
FK-513
 - Wireless LAN
UK-212
 - USB I/F kit
EK-608
 - USB I/F kit with bluetooth
EK-609
 - Biometric authentication⁴
 - ID card reader⁴
 - Mount kit
MK-735

- 3 OTHERS**
- Reverse automatic document feeder
DF-628
 - Original cover
OC-514
 - Working table
WT-506
 - 10-Key pad
KP-101
 - Cleaning unit
CU-101
 - Mount Kit
MK-747
 - Memory upgrade kit
UK-211
 - Hard disk
HD-522

- 4 MEDIA INPUT**
- Paper feed cabinet
PC-113, 500x1
 - Paper feed cabinet
PC-213, 500x2
 - Paper feed cabinet
PC-413, 2500x1
 - Desk
DK-513

- 5 MEDIA OUTPUT**
- Job separator
JS-506
 - Inner Finisher
FS-533
Mount Kit
MK-602
 - Punch kit
PK-519
 - Staple finisher
FS-534
Relay unit
RU-514
 - Staple/booklet finisher
FS-534 with SD-511
Relay unit
RU-514
 - Punch kit
PK-520

LEGEND

- Mandatory option
- Option
- This option can only be installed with the respective option above it

¹ Requires UK-211 and HD-522

² Each client MFP requires UK-211. Requires UK-211 and HD-522 to use 367 series models as base units.

³ Requires HD-522

⁴ Requires interface kit EK-608 or EK-609.

FINISHING FUNCTIONALITIES



Corner stapling



Two-point stapling



Two-hole punching



Four-hole punching



Duplex



Combined mixplex/mixmedia



Half-fold



Sheet insertion, report



Tri-fold



Booklet



Offset sorting

DESCRIPTIONS

ENHANCED FEATURES

LK-102v3 PDF enhancements ¹	PDF/A (1b); PDF encryption; digital signature
LK-104v3 Voice guidance ¹	Supports voice guidance
LK-105v4 OCR text recognition ¹	Searchable PDF and PPTX
LK-106 Barcode fonts	Supports native barcode printing
LK-107 Unicode fonts	Supports native Unicode printing
LK-108 OCR A and B fonts	Supports native OCR A and B font printing
LK-110v2 Document converter pack ¹	Generates various file formats incl. DOCX; XLSX and PDF/A
LK-111 ThinPrint® Client	Print data compression for reduced network impact
LK-114 Serverless pull printing ²	Secure and Follow Me printing solution requiring no server application
LK-115v2 TPM activation	Trusted Platform Module for protection of data encryption and decryption

CONNECTIVITY

FK-513 Fax board ¹	Super G3 fax, digital fax functionality
UK-212 Wireless LAN	Wireless LAN and wireless LAN Access Point Mode
EK-608 USB I/F kit	USB keyboard connection
EK-609 USB I/F kit	USB keyboard connection; Bluetooth LE
Biometric authentication	Finger vein scanner
ID card reader	Various ID card technologies
MK-735 Mount kit	Installation kit for ID card reader

¹ Requires optional UK-211 and HD-522

² Each client MFP requires UK-211. Requires UK-211 and HD-522 to use 367 series models as base units.

OTHERS

DF-628 Document feeder	Reversing automatic document feeder, capacity 100 originals
OC-514 Original cover	Cover instead of ADF
WT-506 Working table	Authentication device placement
KP-101 10-Key pad	For use instead of touchscreen
UK-211 Memory upgrade kit	2GB to improve MFP performance
HD-522 Hard disk	250GB HDD to improve MFP performance
CU-101 Air cleaning unit	Improving indoor air quality by reduced emissions
MK-747 Mount Kit	Mandatory for installation of CU-101

MEDIA INPUT

PC-113 Paper feed cabinet	500 sheets, A5-A3, 60-220 g/m ²
PC-213 Paper feed cabinet	2x 500 sheets, A5-A3, 60-220 g/m ²
PC-413 Paper feed cabinet	2,500 sheets, A4, 60-220 g/m ²
DK-513 Desk	Provides storage space for print media and other materials

MEDIA OUTPUT

FS-533 Inner finisher	50-sheet stapling, 500 sheets max. output
MK-602 Mount kit	Mandatory for installation of FS-533
PK-519 Punch kit for FS-533	2/4 hole punching, autoswitching
FS-534(SD) Stapler finisher	50-sheets stapling or 48 sheets + 2 coversheets (up to 209g/m ²); 3,000 sheets max output
FS-534 w SD-511 Booklet finisher	50-sheets stapling; 20 sheets booklet finisher or 19 sheets + 1 coversheet (up to 209 g/m ²); 2,200 sheets max output
FS-534 w SD-511 Tri-fold	Maximum 3 sheets Output capacity, maximum 30 sheets; unlimited (without tray)
PK-520 Punch kit for FS-534(SD)	2/4 hole punching; autoswitching
RU-514 Relay unit	For FS-534(SD) installation, (Max. 100 sheets output capacity)
JS-506 Job separator	Separation of fax output; etc.

TECHNICAL SPECIFICATIONS

SYSTEM SPECIFICATIONS

Operation Panel	7" / TFT colour LCD
System memory (Std/Max)	2GB/4GB
System storage (optional)	250GB
Interface	Ethernet 10Base-T/100Base-TX/1000Base-T; USB 2.0; Wi-Fi 802.11 b/g/n (optional)
Network protocols	TCP/IP (FTP, SMB, SMTP, WebDAV) (IPv4/IPv6); HTTP(S); Bonjour
Automatic document feeder (optional)	Up to 100 originals; A5-A3; 35-128 g/m ² ; DF-628 RADF
Paper input capacity (standard/max)	1,100 sheets / 3,600 sheets
Paper tray input	1x 500 sheets; A5-B4; custom sizes; 60-220 g/m ² 1x 500 sheets; A6-A3; custom sizes; 60-220 g/m ²
Paper tray input (optional)	PC-113 1x 500 sheets; A5-A3; 60-220 g/m ² PC-213 2x 500 sheets; A5-A3; 60-220 g/m ² PC-413 1x 2,500 sheets; A4; 60-220g/m ²
Manual bypass	100 sheets; A6-A3; Custom sizes; Banner; 60-220 g/m ²
Automatic duplexing	A5-A3; 60-209 g/m ²
Output capacity	Max. 250 sheets
Finishing modes	Offset; Group; Sort; Staple; Punch; Half-fold; Tri-fold; Booklet
Power consumption	220-240 V / 50/60 Hz; Less than 1.4 kW
System dimension (W x D x H)	585 x 660 x 735mm (without options)
System weight	Approx. 56.5 kg (without options)

PRINTER SPECIFICATIONS

Print resolution	1,800 (equivalent) x 600 dpi
Print Speed A4	Up to 36ppm, up to 28ppm
367/287	
Page description language	PCL 6; PCL 5c; PostScript 3; XPS minimum driver
Operating System	Windows 7 (32/64); Windows 8.1 (32/64); Windows 10 (32/64); Windows Server 2008 (32/64); Windows Server 2008 R2; Windows Server 2012; Windows Server 2012 R2; Windows Server 2016; Windows Server 2019; Macintosh OS X 10.12 or later; Linux
Printer fonts	PCL: 80 outline fonts; PS3 Emulation : 137 outline fonts
Mobile printing	AirPrint (iOS); Mopria (Android); Konica Minolta Mobile Print (iOS/Android/Windows 10 Mobile); Mobile Authentication and Pairing (iOS/Android); WiFi Direct

TECHNICAL SPECIFICATIONS

SCANNER SPECIFICATIONS

Scan speed (mono/colour)	DF-628 600dpi simplex 36/36 ipm, duplex 17/17ipm 300dpi simplex 45/45ipm, duplex 22/22ipm
Scan modes	Scan-to-email (Scan-to-Me); Scan-to-SMB (Scan-to-Home); Scan-to-FTP; Scan-to-Box ¹ ; Scan-to-USB; Scan-to-WebDAV; Scan-to-URL; TWAIN scan
File formats ¹	JPEG; TIFF; PDF; Compact PDF; Encrypted PDF; XPS; Compact XPS; PPTX Optional: Searchable PDF; PDF/A 1a and 1b; Searchable DOCX/PPTX/XLSX
Scan destinations ¹	2,000 + 100 (single + group); LDAP support

COPIER SPECIFICATIONS

Imaging technology	Laser
Toner technology	Simitri® toner
Copy/print speed A4	Simplex Up to 36ppm, up to 28ppm
367/287	Duplex Up to 36ppm, up to 28ppm
Auto duplex Speed A4	Up to 36ppm, up to 28ppm
367/287	
1 st copy out time A4	4.5sec / 5.3sec
367/287	
Warm-up time	Less than 15sec ³
Copy resolution	600 x 600 dpi
Gradation	256 gradations
Multicopy	1–9,999
Original format	A5–A3; Custom sizes
Magnification	25–400% in 0.1% steps; Auto-zooming

FAX SPECIFICATIONS² (OPTIONAL)

Fax standard	Super G3
Fax transmission	Analogue; i-Fax; Colour i-Fax; IP-Fax
Fax resolution	Up to 600 x 600 dpi
Fax compression	MH; MR; MMR; JBIG
Fax modem	Up to 33.6 Kbps
Fax destinations	2,000 single + 100 group

USER BOX SPECIFICATIONS

Storable documents	200 pages
Storable documents ¹	Up to 3,000 documents or 10,000 pages
Type of user boxes	Public; Personal (with password or authentication); Group (with authentication)
Type of system boxes ¹	Secure print; Encrypted PDF print; Fax receipt; Fax polling

SYSTEM FEATURES¹

Security Functions ¹	IP filtering and port blocking; SSL/TLS network communication; IPsec support; IEEE 802.1x support; User authentication; Authentication log; Secure print; Kerberos; HDD secure erase; Data encryption ¹ ; Memory data auto deletion; Confidential fax receipt; Print user data encryption; Copy protection
Accounting ¹	Up to 1,000 user accounts; Active Directory support (user name + password + e-mail + SMB folder); User function access definition
Accounting Functions (optional)	Biometric authentication (finger vein scanner); ID card authentication (ID card reader); Authentication by mobile device (Android/iOS)
Software	Data Administrator; Web Connection; Driver Packaging Utility; Log Management Utility

¹ Requires optional UK-211 and HD-522

² Requires optional HD-522 and FK-513

³ Warm-up time may vary depending on the operating environment and usage

- All specifications refer to A4-size paper of 80 g/m² quality.
 - The support and availability of the listed specifications and functionalities varies depending on operating systems, applications and network protocols as well as network and system configurations.
 - The stated life expectancy of each consumable is based on specific operating conditions such as page coverage for a particular page size (6% coverage of A4). The actual life of each consumable will vary depending on use and other printing variables including page coverage, page size, media type, continuous or intermittent printing, ambient temperature and humidity.
 - Some of the product illustrations contain optional accessories.
 - Specifications and accessories are based on the information available at the time of printing and are subject to change without notice.
 - All information stated in the brochure is correct at time of printing and subject to change without notice.
- All brand and product names may be registered trademarks or trademarks of their respective holders and are hereby acknowledged.



Scan Me for more info !



Konica Minolta Business Solutions Asia Pte Ltd

10 Teban Gardens Crescent

Singapore 608903

Tel: +65 6895 8595

Fax: +65 6561 9879

Email: sales@konicaminolta.sg

www.konicaminolta.com

PRESENCE IN THE REGION

BANGLADESH . BHUTAN . BRUNEI . CAMBODIA . INDONESIA . LAOS . MALAYSIA . MAURITIUS . MYANMAR . PHILIPPINES . SINGAPORE . SRI LANKA . THAILAND . VIETNAM

About Konica Minolta Business Solutions Asia

Konica Minolta Business Solutions Asia, based in Singapore, is a wholly owned subsidiary of Konica Minolta Inc., Tokyo, Japan. With its expertise in imaging, data processing and data-based decision making, Konica Minolta creates relevant solutions for its customers and solves issues faced by society.

As a digital workplace solution provider, Konica Minolta helps its clients to identify and unlock the potential digitalisation to help companies reach the next level in the digital maturity of their organisation by rethinking the workplace.

Konica Minolta's Igniting Print Possibilities offering helps printers, converters and brand owners maximize workflow automation to increase efficiency. The company delivers consultancy in all communication matters as well as top-of-the-line production, packaging and label printers. Its finishing devices create print products that stand out and create added value. Konica Minolta has established itself as the production printing market leader for more than a decade (InfoSource).

With its commitment to the Sustainable Development Goals (SDGs), Konica Minolta has pledged to consistently pursue its sustainability and social responsibility goals. The company has been repeatedly recognized for its rich history of social contribution as well as for working towards achieving the SDGs throughout its business and is listed among "2021 Global 100 Most Sustainable Corporations in the World", also having received the highest level in EcoVadis Sustainability Ratings.

Worldwide, the company has over 43,000 employees and is operating in over 150 countries.

Our organisation is certified according to ISO27001, ISO9001, ISO14001 and ISO13485 standards.



FOR THE EARTH, FOR THE FUTURE.